

# Denali SNDE-04/05 DTO

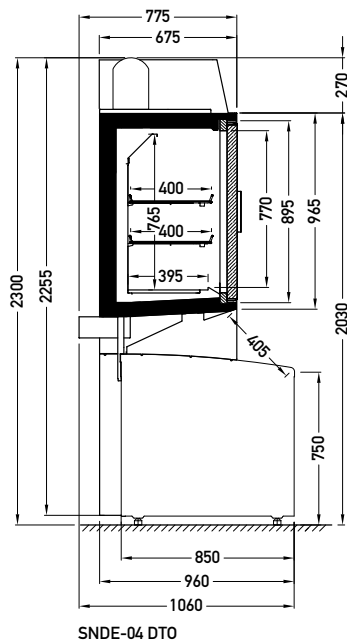


## STANDARD FEATURES

- working temperature: from -25°C to -21°C
- refrigerant: R290
- hot gas defrosting
- automatic evaporation of condensate
- electronic controller with temperature indicator
- **energy saving fans**
- exposition: zinc-plated steel, powder coated in white (RAL 9003)
- 2 rows of suspended shelves, on shelves and on air inlet price holders 39 mm
- **lighting: vertical in doors frame, LEDit CW-2**
- framed doors without heaters
- sidewalls integrated
- SNDE-05 with inverter compressor
- SNDE-05 unit on the steel construction – for use with any freezer island
- SNDE-04 for use with WMDO-03 and WNIJ 07

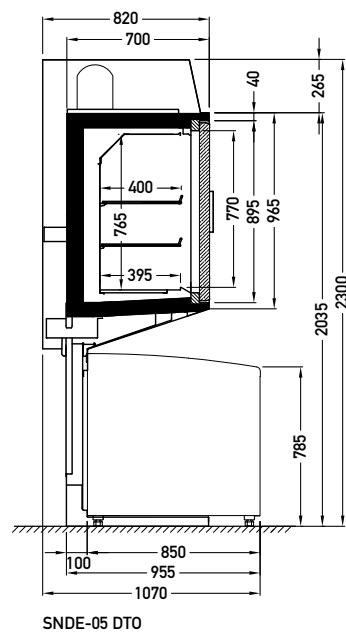
Denali SNDE-05 2500 DTO

DTO – door | triple, straight | hinged



**D** A+G  
2500

SNDE-04 DTO



**D** A+G  
2500

SNDE-05 DTO

## AVAILABLE MODULES

2100 2500